



Winter use



Built in PVA polyester



Campion galvanized steel frame 25 mm



Depth 240 cm + 20 cm canopy



Zip down covers



Mosquito net on each side



Extra ventilation on one side

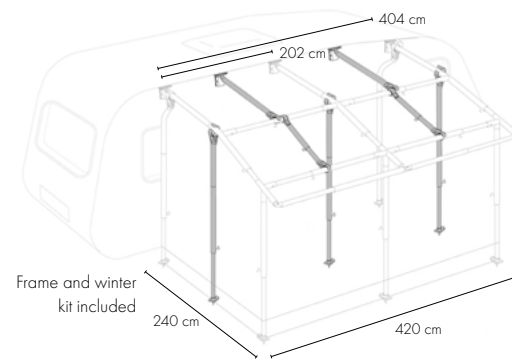
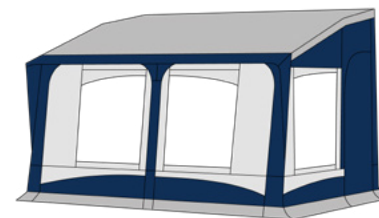
This awning has a roof with a double apex and reinforced seams. It is very strong and with a harmonious design. This is a universal awning and may be adapted to most types of caravan, since the fixing system are adjustable in height. The fixing system to the caravan consists of foam filled pads and Fix-On system adaptable to any surface and it is reinforce with side legs.

The only requirement is that your caravan has enough straight awning channel for the correct fitting of the porch. The winter reinforcement kit (optional) is recommended when the awning is used in areas with snow and rough weather.



The front panel has two large fixed windows. It may be removed and may also be used as a verandah. Each side panel has a door and a window (on the right panel it may be rolled up and has a mosquito net).

Alpes 420 CLASSIC



Available colors



Light grey and blue

Optional accessories

- Velum (roof liner)
- Fix-On
- Front verandah bar
- Reinforcing poles



Curtains included #2 Blue stars

